

BoT-DAT200

Specification

CONFIDENTIAL INFORMATION

List of Contents

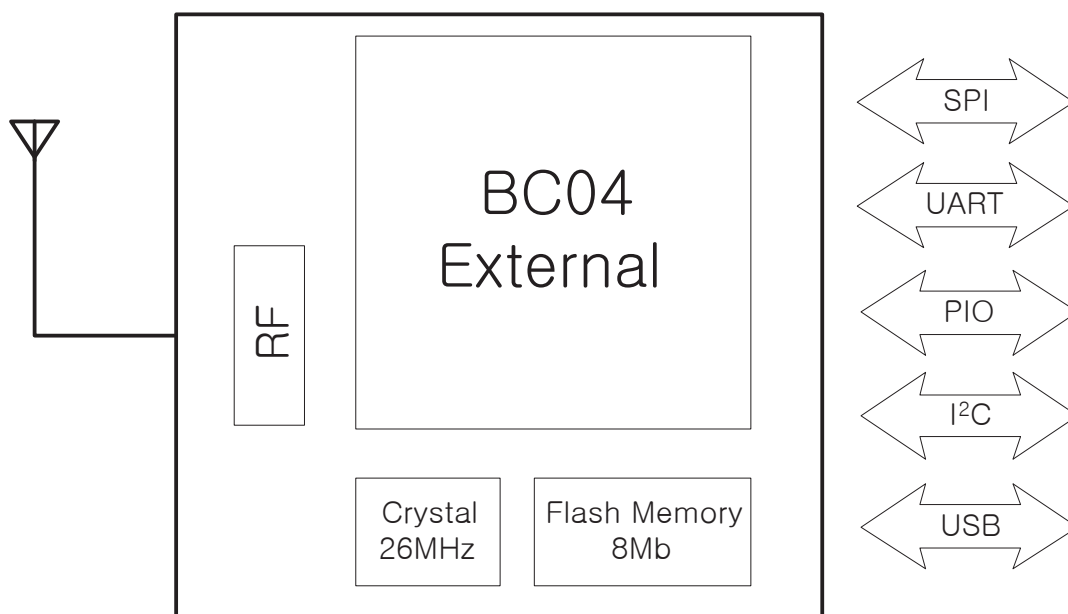
1. General.....	3
1.1 Overview	3
1.2 Features	4
1.3 Application	4
1.4 Pin Configuration & Outline Size	5
1.5 Device Terminal Functions	6
1.6 Package Dimensions & Land Pattern	7
2. Characteristics	8
2.1 Electrical Characteristics	8
2.2 RF Characteristics	9
3. Terminal Description	10
3.1 UART Interface	10
3.1.1 UART Interface	10
3.1.2 UART Bypass Mode	11
3.2 USB Interface	11
3.3 I2C Interface	12
3.4 SPI Interface	12
4 Application Schematic	13
5 Ordering Information	14

1. General

1.1 Overview

This specification covers Bluetooth module (class-2) which complies with Bluetooth specification version 2.1 + EDR (Or version 3.0) and integrates RF & Baseband controller in small package. This Module has deployed CSR's BC04-External EDR chipset.

All detailed specification including pin outs and electrical specification may be changed without notice.



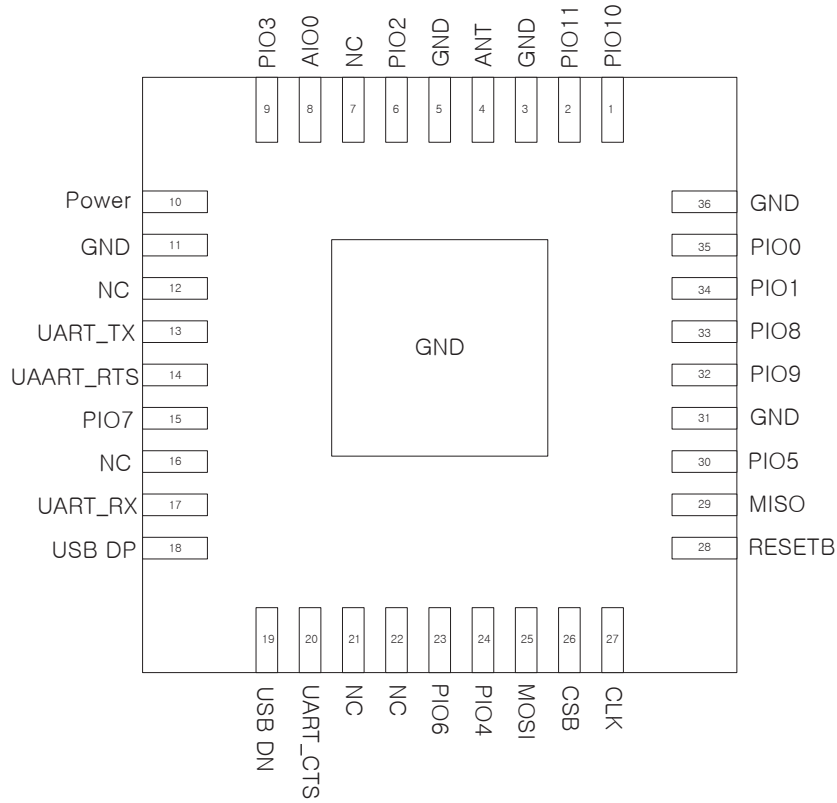
1.2 Features

- Fully Qualified Bluetooth v2.1 + EDR (Or Support V3.0) System
- Full-speed Bluetooth Operation with Full Piconet Support
- Scatternet Support
- Ultra Low Power Consumption
- Support for 802.11 Co-existence
- RoHS Compliant
- UART interface with programmable band rate up to 3Mbits/s with an optional bypass mode
- Full-speed USB v2.0 interface supports OHCI and UHCI host interface
- Standard HCI (UART and USB) support
- Integrated to 8Mbit external Flash memory
- Integrated 26MHz Reference Clock
- Competitive Size (11mm x 11mm x 1.56mm : QFN 36Pin)
- Operating temperature range (MAX -30°C ~ 85°C)
- Supply voltage range (2.7 V ~ 3.6 V)

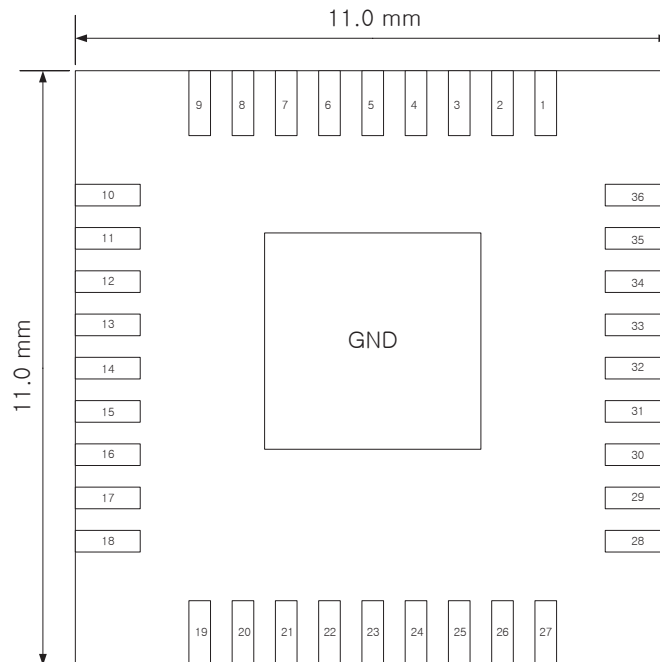
1.3 Application

- Digital camera & printer
- Cellular Handsets
- Personal Digital Assistants (PDA)
- Space critical application
- GPS,POS, Barcode Reader
- USB Dongle
- Access Points

1.4 Pin Configuration & Outline Size



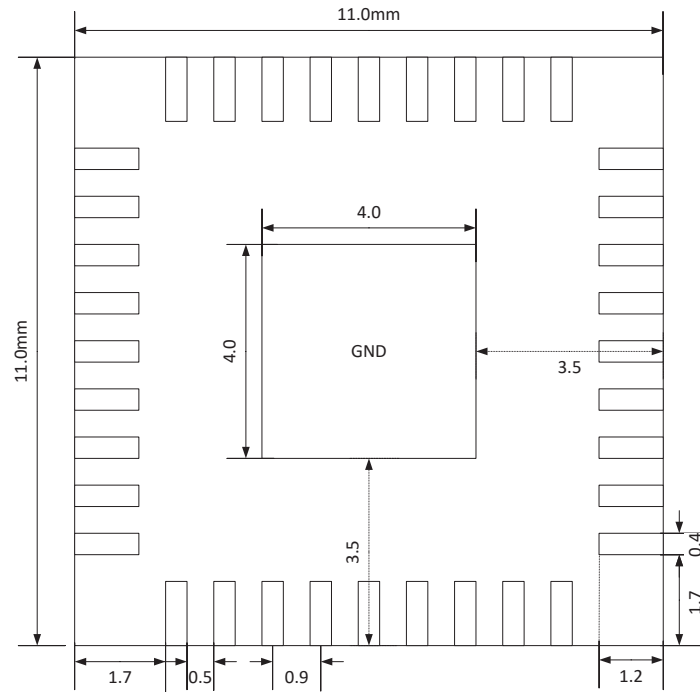
Pin Configuration (TOP VIEW)



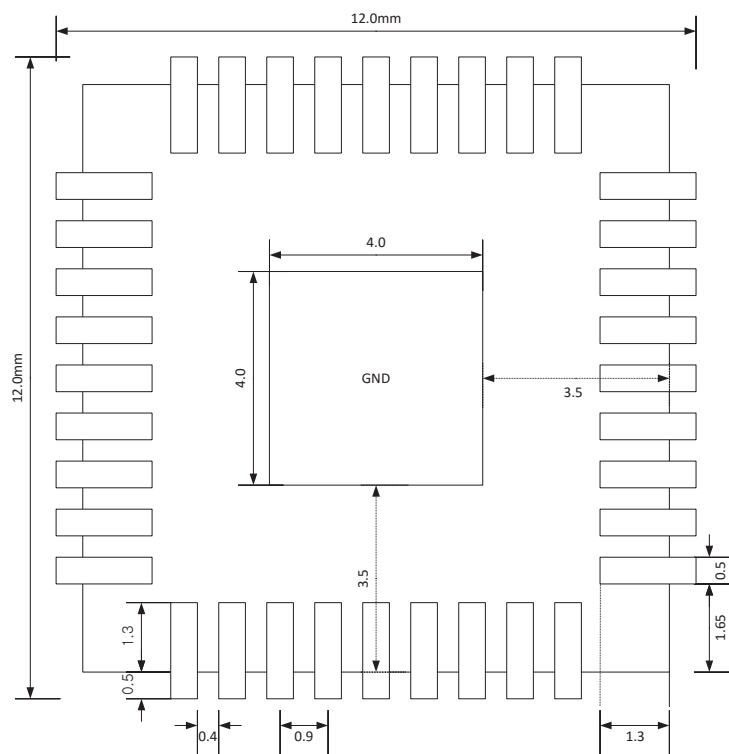
1.5 Device Terminal Functions

Function	Pin Name		Pin No.	Description	
UART	UART_TX		13	UART data output	
	UART_RX		17	UART data input	
	UART_RTS		14	UART request to send active low	
	UART_CTS		20	UART clear to send active low	
SPI	SPI_MISO		29	SPI data output	
	SPI_MOSI		25	SPI data input	
	SPI_CSB		26	Chip select for Serial Peripheral Interface (SPI), active low	
	SPI_CLK		27	SPI Clock	
USB	USB_DN		19	USB data minus	
	USB_DP		18	USB data plus with selectable internal 1.5kohm pull-up resistor	
PIO	PIO0		35	Programmable input/output line	
	PIO1		34	Programmable input/output line	
	PIO2		6	Programmable input/output line	
	PIO3		9	Programmable input/output line	
	PIO4	RX	24	Programmable input/output line	
	PIO5	CTS	30	Programmable input/output line	
	PIO6	SCL	RTS	23	Programmable input/output line Or I2C SCL
	PIO7	SDA	TX	15	Programmable input/output line Or I2C SDA
	PIO8	WP	33	Programmable input/output line Or I2C WP	
	PIO9		32	Programmable input/output line	
	PIO10		1	Programmable input/output line	
	PIO11		2	Programmable input/output line	
AIO	AIO0		8	General purpose analogue interface	
Other Pins	VCC		10	D.C input voltage for operation (2.7 ~ 3.6)	
	ANT		4	RF connection to antenna	
	RESETB		28	Reset if low. Input debounced so must be low for >5ms to cause a reset	
	GND		3,5,11, 31,36, 37	Ground (37Pin BOTTOM GND PAD)	
	NC		7,12,21,16,22		

1.6 Package Dimensions & Land Pattern



Top view



Land Pattern

2. Characteristics

2.1 Electrical Characteristics

Absolute Maximum Ratings

Rating		Min	Max.	Unit
Storage temperature range		-40	105	°C
Supply voltage	VCC	2.7	3.6	V
I/O Output voltage	VDD_PIO	VSS-0.4V	VCC+0.4V	V

Recommended Operating Conditions

Rating		Min	Typ.	Max.	Unit
Commercial Grade Operating Temperature range		-20	25	70	°C
Industrial Grade Operating Temperature range		-30	-	85	°C
Supply voltage	VCC	2.7	3.3	3.6	V
I/O Output voltage	VDD_PIO	2.7	3.3	3.6	V

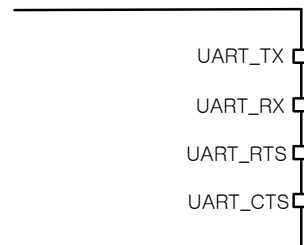
2.2 RF Characteristics

RF	Specification	Condition	Min.	Typ.	Max	Unit	
Transmitter	Output transmit power	Normal	-	3	4	dBm	
	Transmit power density	Normal			4	dBm	
	Transmit power control	Normal	2		8	dBm	
	Frequency Range	Normal	2400		2483.5	MHz	
	20dB bandwidth for modulated carrier	Normal		790	1000	MHz	
	Adjacent channel transmit power	± 2 MHz			-35	-20	dBm
		± 3 MHz			-45	-40	dBm
		± 4 MHz			-50	-40	dBm
	Modulation Characteristics	$\Delta f1$ avg		140		175	KHz
		$\Delta f2$ max		115			KHz
		$\Delta f2$ avg/ $\Delta f1$ avg				80	%
	Initial carrier frequency tolerance	Normal	-20		20	KHz	
	Carrier frequency Drift	One slot packet(DH1)		-25		25	KHz
Three slot packet(DH3)			-40		40	KHz	
Five slot packet(DH5)			-40		40	KHz	
Transceiver	Carrier frequency Drift	30MHz ~ 1GHz			-36	dBm	
		1GHz~12.75GHz			-30	dBm	
		1.8GHz~5.1GHz			-47	dBm	
		5.1GHz~5.3Ghz			-47	dBm	
Receiver	Sensitivity level(0.1% BER)	Single slot packet	-83	-85	-87	dBm	
		Multi slot packets	-83	-85	-87	dBm	
	C/I performance	Cochannel			11	dB	
		1MHz(Adjacent channel)			0	dB	
		2MHz(2nd Adjacent channel)			-30	dB	
		3MHz(3rd Adjacent channel)			-40	dB	
	Blocking performance	30MHz ~2GHz		-10		dBm	
		2GHz~2.4GHz		-27		dBm	
		2.5GHz~3GHz		-27		dBm	
		3GHz~12.75GHz		-10		dBm	
Intermodulation performance	n-5		-39		dBm		
Maximum input level			-20	-10	dBm		

3. Terminal Description

3.1 UART Interface

BoT-DAT200 has a standard UART serial interface that provides a simple Mechanism for communicating with other serial devices using the RS232 Protocol.



The 4 signals that implement the UART function. When BoT-DAT200 is connected to another digital device, UART_RX and UART_TX transfer data between the 2 devices. The remaining 2 signals, UART_CTS and UART_RTS, can implement RS232 hardware flow control where both are active low indicators.

a. UART Setting

User can change data format the following selection using PSKEY.

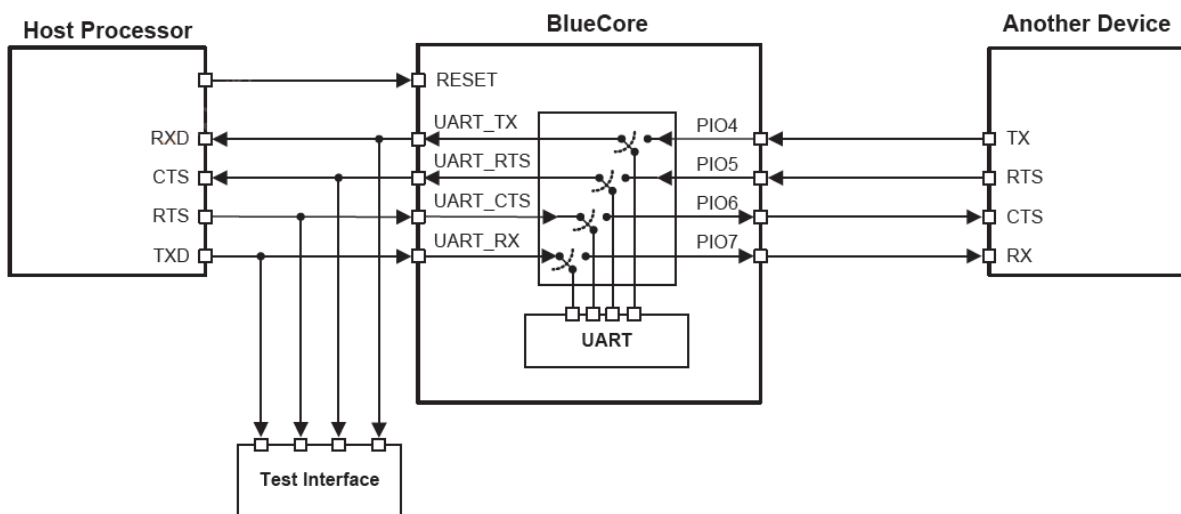
However, host shall communicate with default setting UART connection initiated at first time.

$$\text{Baud Rate} = \frac{\text{PSKEY_UART_BAUDRATE}}{0.004096}$$

Parameter		Possible values
Baud rate	Minimum	1200 baud(≤2% Error)
	Maximum	9600 baud(≤1% Error)
Flow control		RTS/CTS or None
Parity		None, Odd or Even
Number of stop bits		1 or 2
Bits per byte		8

b. UART Bypass Mode

In order to apply the UART bypass mode, a BCCMD command will be issued to BoT-200 upon this, it will switch the bypass to PIO 4,5,6,7 as shown in figure. When the bypass mode has been invoked, module enters the deep sleep state indefinitely



3.2 USB Interface

This is a full speed (12Mbits/s) USB interface for communicating with other compatible digital devices. BoT-DAT200 acts as a USB peripheral, responding to requests from a master host controller such as a PC.

The USB interface is capable of driving a USB cable directly. No external USB transceiver is required. The device

operates as a USB peripheral, responding to requests from a master host controller such as a PC. Both the OHCI and the UHCI standards are supported. The set of USB endpoints implemented can behave as specified in the USB

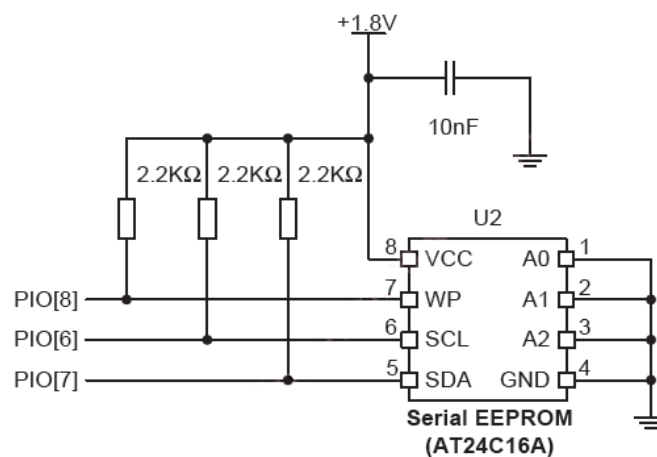
section of the Bluetooth v2.1 + EDR specification or alternatively can appear as a set of endpoints appropriate to USB audio devices such as speakers.

As USB is a master/slave oriented system (in common with other USB peripherals), BoT-DAT200 only supports USB Slave operation.

3.3 I²C Interface

PIO[8:6] can be used to form a master I²C interface. The interface is formed using software to drive these lines. Therefore it is suited only to relatively slow functions such as driving a dot matrix LCD, keyboard scanner or EEPROM

Note. PIO[7:6] dual functions, UART bypass and EEPROM support, therefore devices using an EEPROM connect support UART bypass mode. PIO Lines need to be pulled-up through 2.2K Ω resistors.



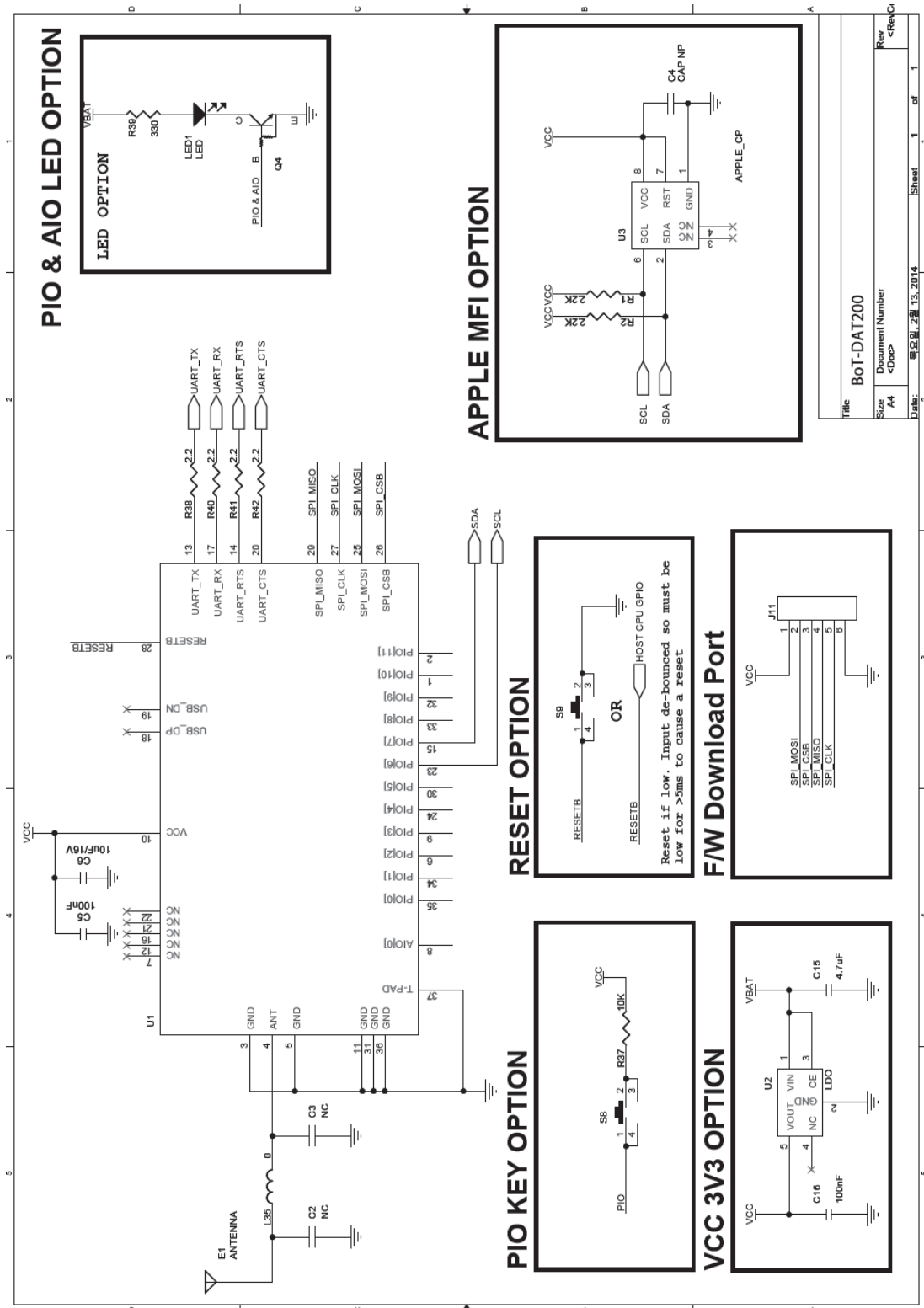
3.4 SPI Interface

The synchronous serial port interface (SPI) is used to program configure and debug Module. It can also be used for programming the Flash memory. SPI interface is connected by using the MOSI, MISO, CSB and CLK pins.

It is required in production and product certification. Ensure the 4 SPI signals are brought out to either test points or a header.

SPI interface can't be used for any application purposes.

4. Application Schematic



Title		BoT-DAT200	
Size	A4	Document Number	<Doc>
Date:	2014.13.13	Sheet	1 of 1
Rev	<Rev>		